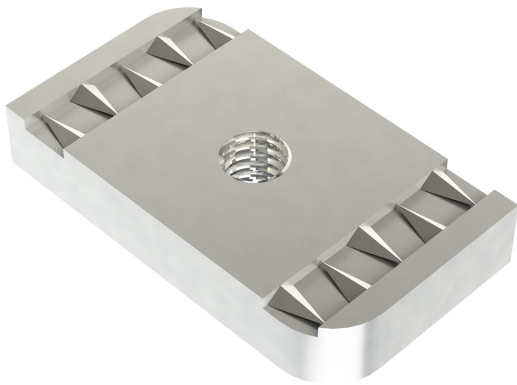


**PRODUCT CODE: CS23**  
CHANNEL SPRING NUT



**DESCRIPTION**

M12 Plain Spring Nut

**FINISH**

BZP

**MATERIAL**

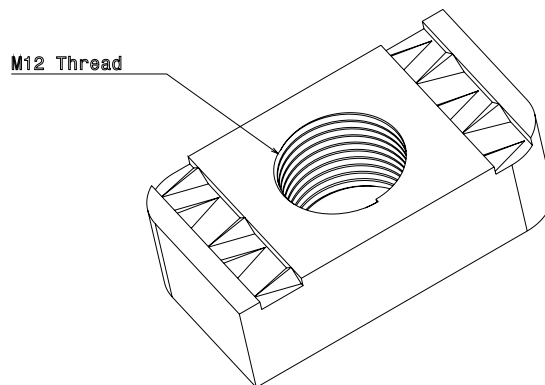
Steel

**PACKAGING**

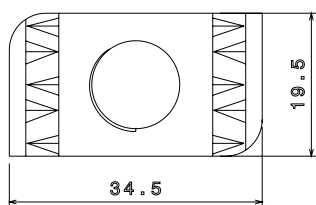
Packed in qty 100

**ADDITIONAL NOTES**

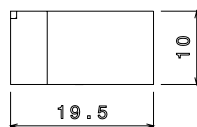
Produced to comply with the requirements of BS6946 Metal Channel Support Systems  
For use with 21mm and 41mm depth channel  
Compliant to LU Standard 1-085 (for use on surface & sub-surface locations)



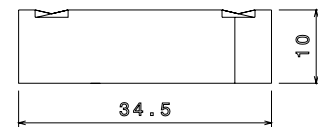
Isometric view



Top view



Front view



Side view